

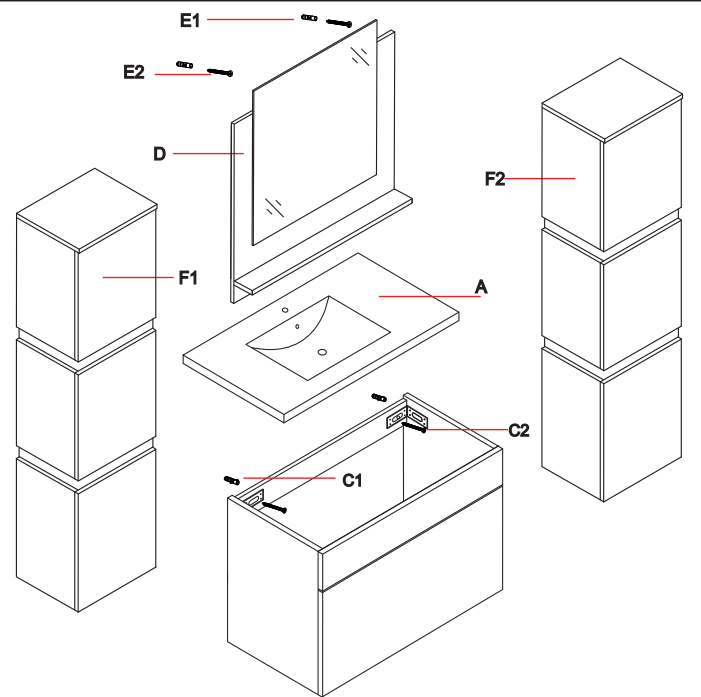
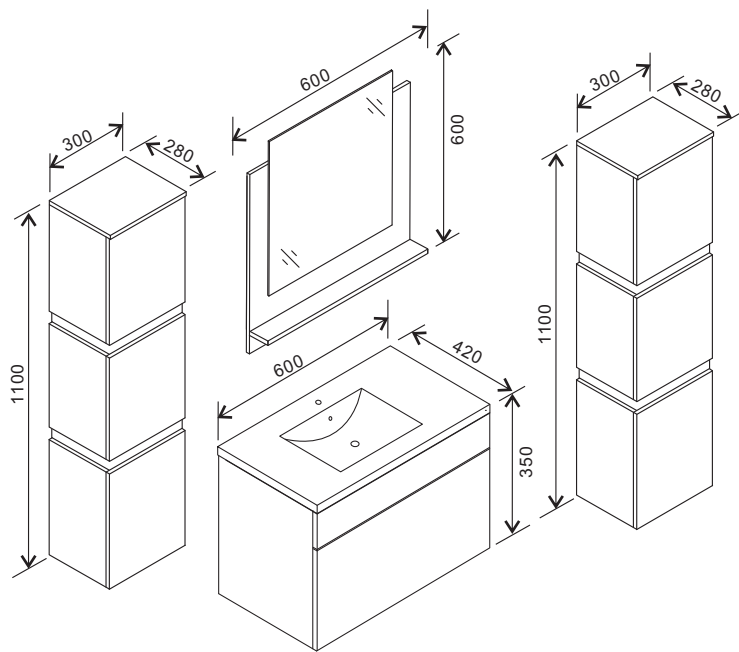
Model>Modelo:

MF1823

Parts List:

No	A(1PC)	B (1PC)	C1(2PC)	C2(2PC)	D(1PC)	E1(2PC)	E2(2PC)	F1(1PC)	F2(1PC)	G1(4PC)	G2(4PC)	H(3PC)
Photo												

Tools Not Included/Herramientas No Incluidas



1. Install the cabinet on the wall using the screws (C1,C2) as below Picture.

3. Measure the distance of the mirror's back brackets, and install the screws on the wall, then hang the mirrors on the screws.

2. Put the basin (A) on the cabinet, then silicon the edges.

4. Install the side cabinet according to the diagram below